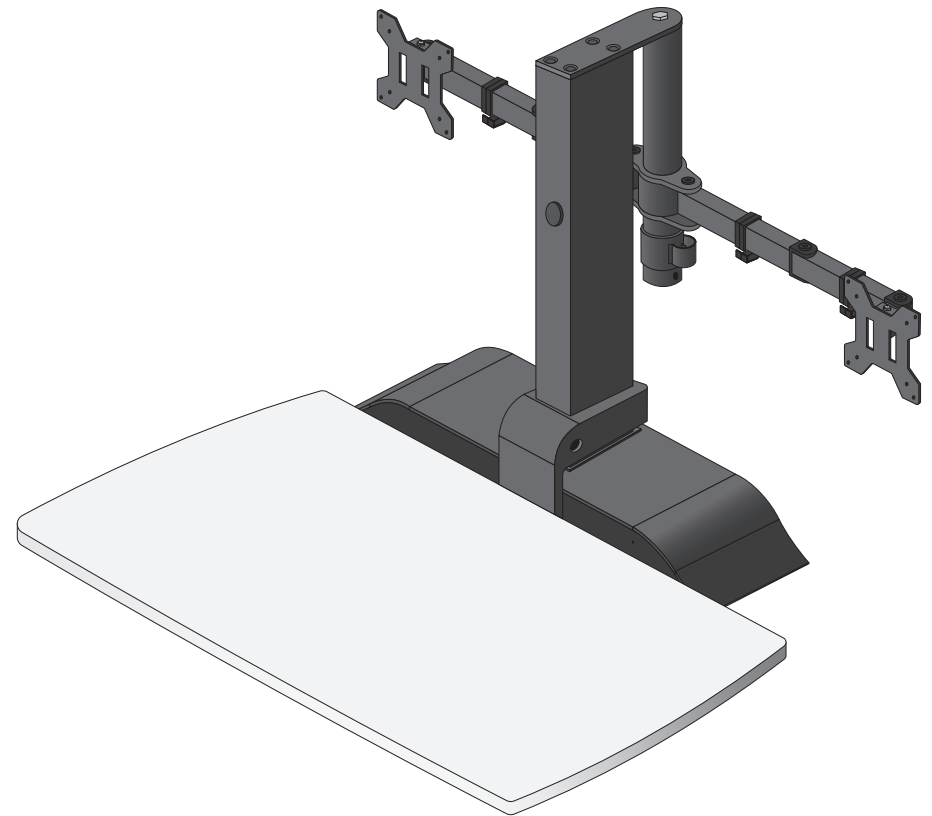




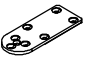
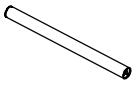
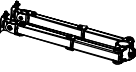



Hermes Dual Monitor Base



www.unisourceparts.com
(800) 598-7278



COMPONENTS

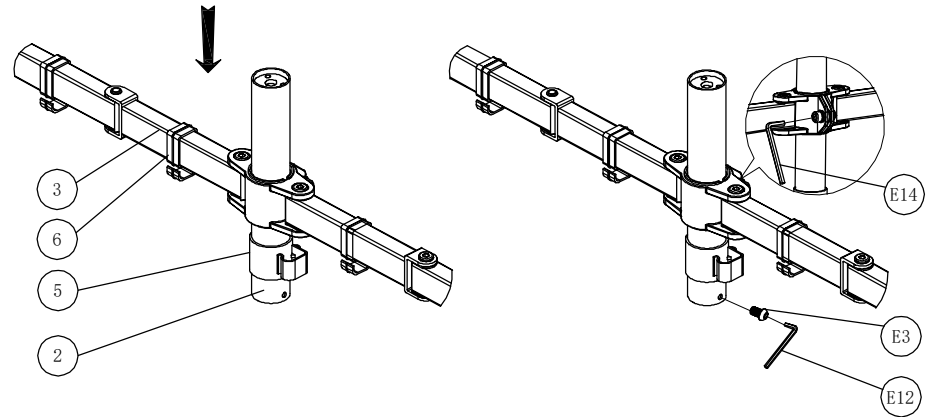
					
1	2	3	4	5	6
Metal plate 1pc	Round tube 1pc	Rotating arm 1pc	Connection plate 2pcs	Wire clamp 1pc	Wire clamp 4pcs

HARDWARE BAG

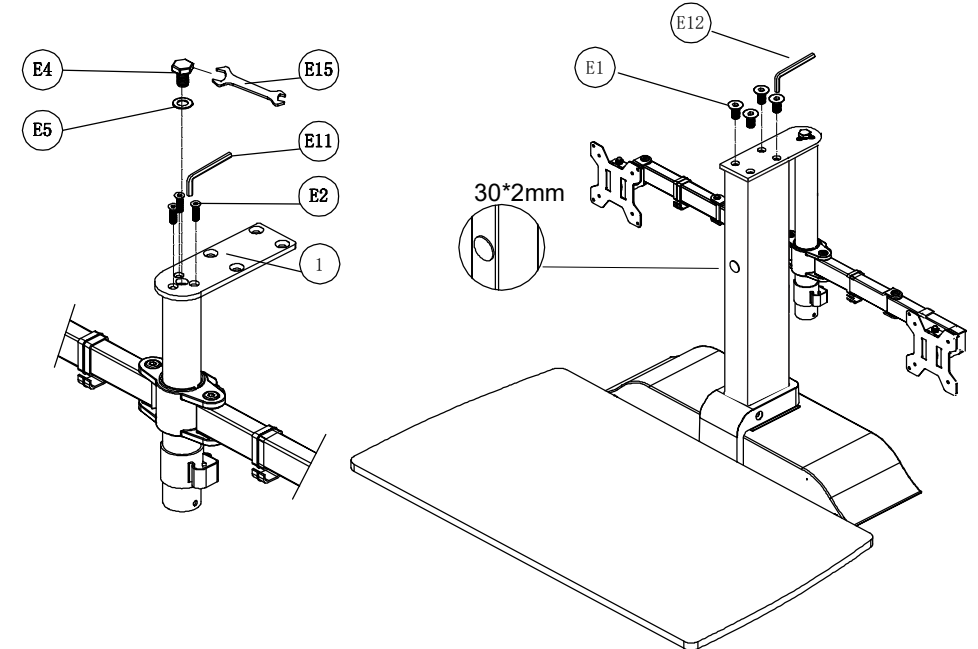
REF. #	QTY.	SPARE	DESCRIPTION
E1	4		M6*12mm
E2	3		M5*18mm
E3	1		M6*12mm
E4	1		M10*30mm
E5	1		10*20*1.5mm
E6	8		M4*12mm
E7	8		M4*30mm
E8	8		14*6mm
E9	8		14*10mm
E10	2		M6
E11	1		3mm
E12	1		4mm
E13	1		5mm
E14	1		6mm
E15	1		

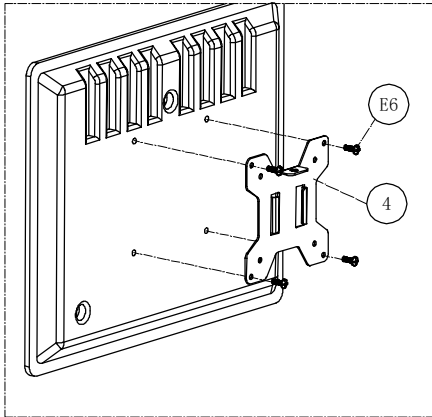


1. Attach the Rotating arm 3 & Wire clamp 5 to the Round tube 2; Attach the Wire clamp 6 to the Rotating arm 3; Tighten the screw of Rotating arm 3 by wrench E14; Then use screw E3 to tighten the round tube.

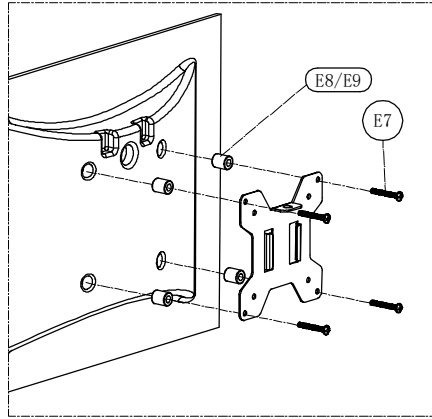


2. Fix the Metal plate 1 to the round tube by using E2&E11; Then fix the Metal plate to the Lift column by using E1&E12;

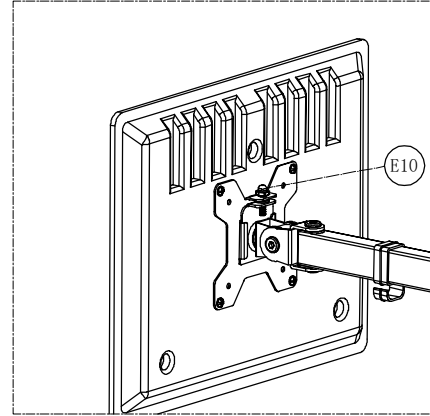




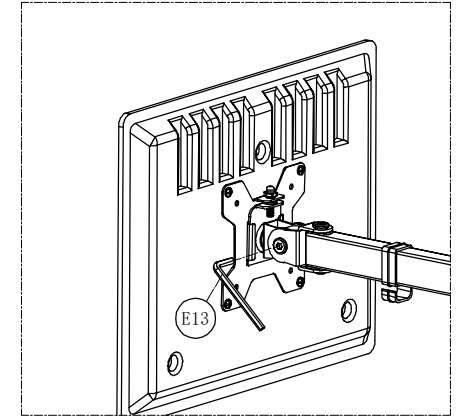
Fix the Monitor mount to the Metal plate by using E6.



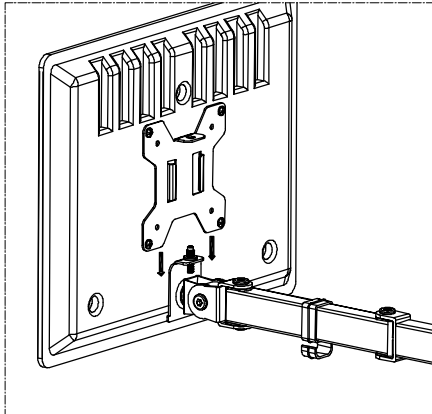
Fix the Monitor mount to the Metal plate by using E7&E8.



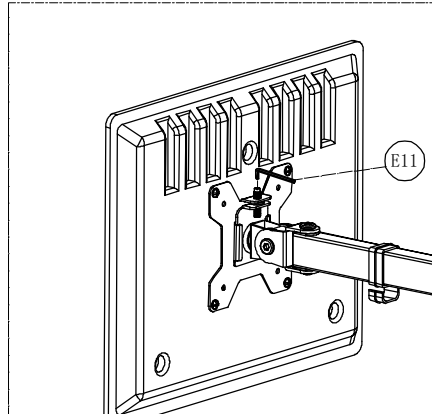
Fix the Monitor mount to the frame by using E10.



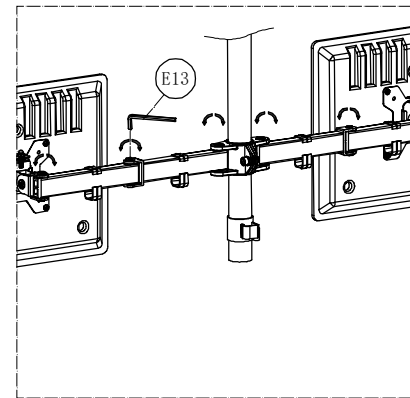
Tighten the Monitor mount by using E13.



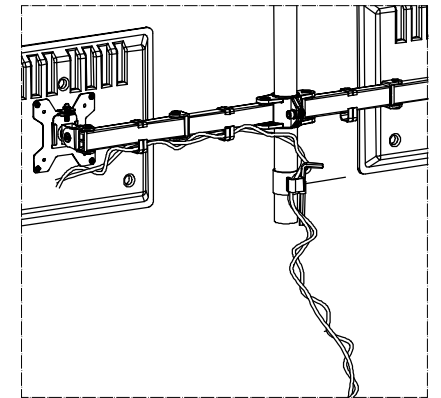
Attach the Monitor mount to the port of the frame.



Adjust the height of the Monitor mount by adjusting screw by using E11.



Adjust the Angle by using E13 if needed.



Fix electrical wire to the frame by using Wire clamp.